

KJT Sensors - KJT-J6.5 Series

Proximity Sensor - DC Power Supplies

KJT-JN26.5-W02**-D322



- Performance more steady due to specialized IC
- Housing material : Stainless steel
- Sensing distance Sn (mm) :2 mm
- Output function : NPN/PNP NO/NC
- Power supply range: 10-36V DC
- Protection degree : IP67 (IEC)
- Provide customized service

Technical parameter

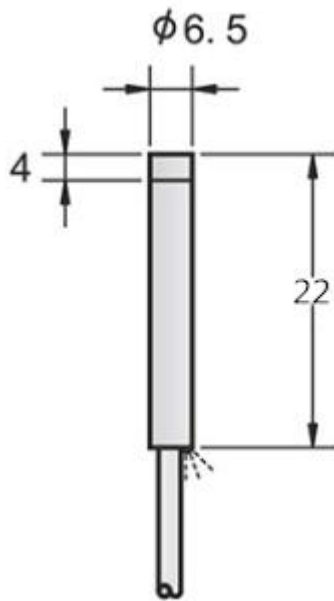
Size	J6.5*22mm
Mounting	Unshielded
Sensing Distance SN [mm]	2mm
Housing material	Stainless steel
Indicator	With LED
Operating voltage	10-36VDC
Output	PNP/NPN NO/NC
Ripple	<10%
No Load Current	<10mA
Max.Load Current	100mA
Leakage Current	<0.01mA
Voltage Drop	<1.5V
Switching Frequency	2K Hz
Response Time	0.1ms
Switching Hysteresis	<15%(Sr)
Repeat Accuracy	<3%(Sr)
Protection Degree	IP67
Operating Temperature	-25℃-+70℃
Temperature Drift	<10%(Sr)
Short Circuit Protection	YES
Overload Trip Point	200mA
Connection	PVC Cable 2M

KJT Sensors - KJT-J6.5 Series

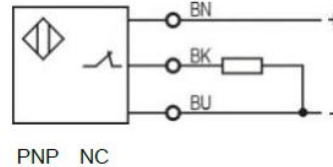
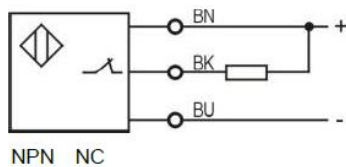
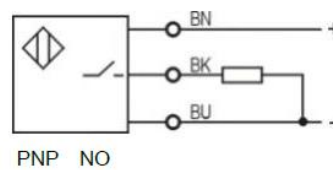
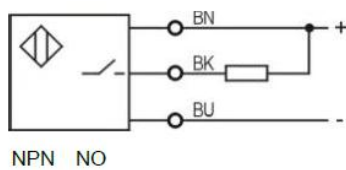
Proximity Sensor - DC Power Supplies

KJT-JN26.5-W02**-D322

Dimension drawing



Connection diagram



KJT Sensors - KJT-J6.5 Series

Proximity Sensor - DC Power Supplies

KJT-JN26.5-W02**-D322

Model/Order Number

Sn 2 mm DC 3 wire 10-36V PNP NO	KJT-JN26.5-W02PA-D322
Sn 2 mm DC 3 wire 10-36V PNP NC	KJT-JN26.5-W02PB-D322
Sn 2 mm DC 3 wire 10-36V NPN NO	KJT-JN26.5-W02NA-D322
Sn 2 mm DC 3 wire 10-36V NPN NC	KJT-JN26.5-W02NB-D322