

KJT Sensors - KJT-FS30 Series

Photoelectric Sensor -DC Power

KJT-FS130-Z**T53-V2



- Performance more steady due to specialized IC
- Housing material : ABS
- Sensing distance Sn (m) :5m
- Reflection mode:Through beam
- Power supply range: 10-36VDC
- Protection degree : IP55 (IEC)
- Provide customized service

Technical parameter

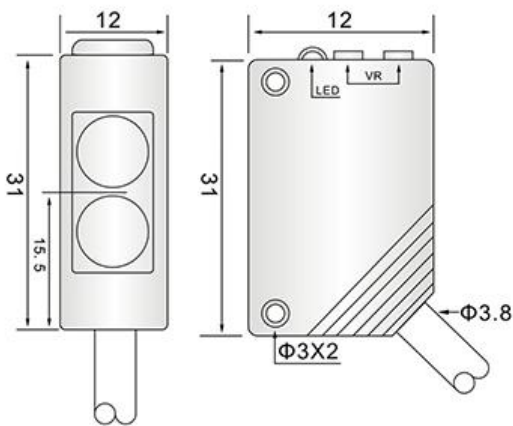
Size	30*22*11mm
Reflection mode	Through beam
Sensing Distance SN [m]	5m
Housing material	ABS
Operating voltage	10-36VDC
Switching Hysteresis	<15%
Light source	Infrared light(880nm)
Max Current Output	200mA
No Load Current	<30mA
Voltage Drop	<2.5V
Leakage Current	<1.8mA
Sensitivity Control	Trimmer 1tum
Response Time	5ms
Short Circuit Protection	YES
Electricity Protection	YES
Operating Temperature	0-55℃
Ambient Humidity	35-85%RH
Protection Degree	IP55
Sensing Object Size	20*20cm White board
Connection	PVC Cable 2M

KJT Sensors - KJT-FS30 Series

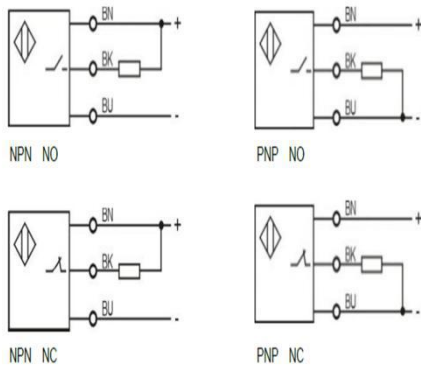
Photoelectric Sensor - DC Power

KJT-FS130-Z**T53-V2

Dimension drawing



Connection diagram



KJT Sensors - KJT-FS30 Series

Photoelectric Sensor - DC Power

KJT-FS130-Z**T53-V2

Model/Order Number

Sn 5m DC 3 wire 10-36V PNP NO	KJT-FS130-ZPKT53-V2
Sn 5m DC 3 wire 10-36V PNP NC	KJT-FS130-ZPHT53-V2
Sn 5m DC 3 wire 10-36V NPN NO	KJT-FS130-ZNKT53-V2
Sn 5m DC 3 wire 10-36V NPN NC	KJT-FS130-ZNHT53-V2