

# KJT Sensors - KJT-FS50 Series

Photoelectric Sensor -DC Power

KJT-FS150-Z\*\*X152-V2



- Performance more steady due to specialized IC
- Housing material : ABS
- Sensing distance Sn (m) :1.5m adjustable
- Reflection mode:Diffuse
- Power supply range: 10-36VDC
- Protection degree : IP67 (IEC)
- Provide customized service

## Technical parameter

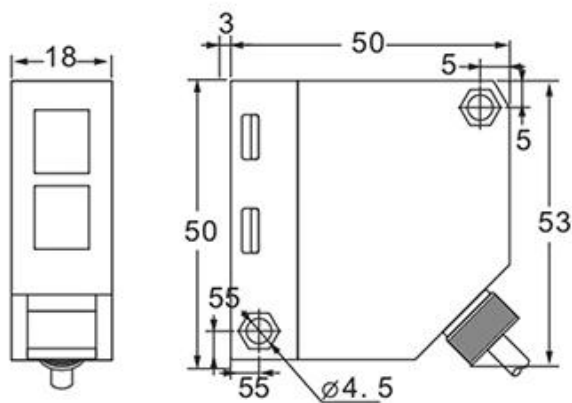
Size	50*50*18mm
Reflection mode	Diffuse
Sensing Distance SN [m]	1.5m adjustable
Housing material	ABS
Operating voltage	10-36VDC
Switching Hysteresis	<15%
Light source	Infrared light(880nm)
Max Current Output	200mA
No Load Current	<30mA
Voltage Drop	<2.5V
Leakage Current	<1.8mA
Sensitivity Control	Trimmer 1tum
Response Time	5ms
Short Circuit Protection	YES
Electricity Protection	YES
Operating Temperature	0-55℃
Ambient Humidity	35-85%RH
Protection Degree	IP67
Sensing Object Size	20*20cm White board
Connection	PVC Cable 2M

# KJT Sensors - KJT-FS50 Series

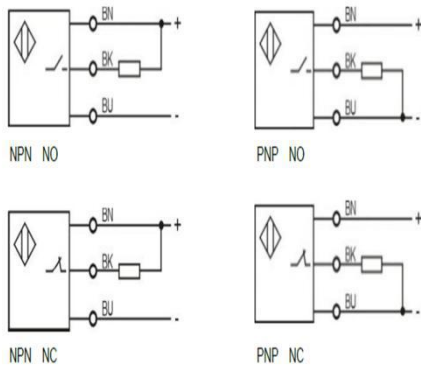
Photoelectric Sensor - DC Power

KJT-FS150-Z\*\*X152-V2

## Dimension drawing



## Connection diagram



# KJT Sensors - KJT-FS50 Series

Photoelectric Sensor - DC Power

KJT-FS150-Z\*\*X152-V2

## Model/Order Number

Sn 1.5m DC 3 wire 10-36V PNP NO	KJT-FS150-ZPKX152-V2
Sn 1.5m DC 3 wire 10-36V PNP NC	KJT-FS150-ZPHX152-V2
Sn 1.5m DC 3 wire 10-36V NPN NO	KJT-FS150-ZNKX152-V2
Sn 1.5m DC 3 wire 10-36V NPN NC	KJT-FS150-ZNHX152-V2