

KJT Sensors - KJT-FSU30 Series

Photoelectric Sensor -DC Power

KJT-FSU330-Z**T03-V2



- Performance more steady due to specialized IC
- Housing material : Aluminum alloy
- Sensing distance Sn (m) :30mm
- Reflection mode:Through beam
- Power supply range: 12-24VDC \pm 10%
- Protection degree : IP66 (IEC)
- Provide customized service

Technical parameter

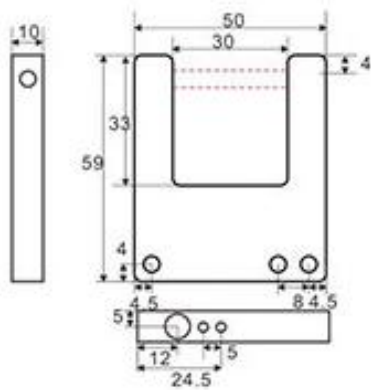
Size	59*50*10mm
Reflection mode	Through beam
Sensing Distance SN [m]	30mm
Housing material	Aluminum alloy
Operating voltage	12-24VDC \pm 10%
Current consumption	15mA Max
Load current	100mA Max at DC 24V
Protection circuit	power back connection protection and output short circuit protection
Response time	0.3ms Max
Isolation resistance	20M Ω min (DC500V)
Insulation and voltage resistance	AC1000V 60Hz for 60Sec
Operating Temperature	-10 $^{\circ}$ C~+50 $^{\circ}$ C (Do not frost or freeze)
Ambient Humidity	35-85%RH relative humidity
Storage temperature	-20 $^{\circ}$ C~+60 $^{\circ}$ C (Do not frost or freeze)
Store humidity	35-85%RH relative humidity
Output	NO/NC NPN/PNP
Protection Degree	IP66

KJT Sensors - KJT-FSU30 Series

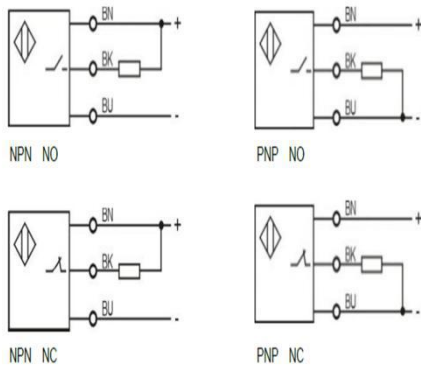
Photoelectric Sensor - DC Power

KJT-FSU330-Z**T03-V2

Dimension drawing



Connection diagram



KJT Sensors - KJT-FSU30 Series

Photoelectric Sensor - DC Power

KJT-FSU330-Z**T03-V2

Model/Order Number

Sn 30mm DC 3 wire 10-36V PNP NO	KJT-FSU330-ZPKT03-V2
Sn 30mm DC 3 wire 10-36V PNP NC	KJT-FSU330-ZPHT03-V2
Sn 30mm DC 3 wire 10-36V NPN NO	KJT-FSU330-ZNKT05-V2
Sn 30mm DC 3 wire 10-36V NPN NC	KJT-FSU330-ZNHT03-V2