

# KJT Sensors - KJT-XW Series

## Limit Switch -AC Power Supplies

KJT-XWKG



- Performance more steady due to specialized IC
- Rated Current::10A /250VAC
- Protection degree : IP66 (IEC)
- Operating Temperature : -40°C-+350°C
- Provide customized service

### Technical parameter

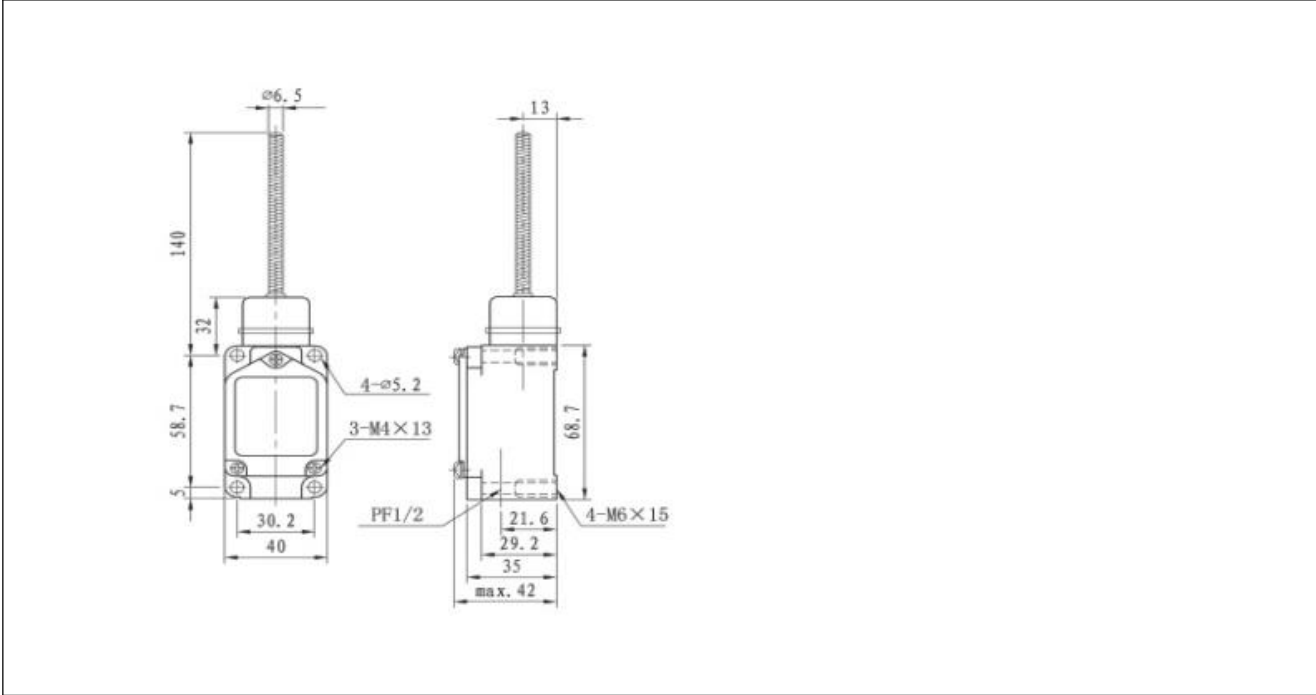
Rated Current	10A /250VAC	
Operating Speed	1mm-2m/s	
Operating Frequency	Machinery:	120times/minute
	Electric:	30times/minute
Contact Resistance	<15 m Ω (mm) (initial stage)	
Insulation Resistance	>100Ohm (<500VDC )	
Withstand Voltage	No connection between terminals.	1000VAC50/60Hz lasts 1 minute
	Between the terminal and the contact.	2200VAC50/60Hz lasts 1 minute
	Between terminal and no-load current metal.	2200VAC50/60Hz lasts 1 minute
Vibration	Misoperation Endurance	10~55Hz,1.5mm double-amplitude
	Mechanical Endurance	>1,000m/S <sup>2</sup> (>100G)
Impact	Misoperation Endurance	>300m/S <sup>2</sup> (>30G)
	Temperature	-40° C~+350° C
Humidity	<95%RH	
Working Life	Machinery:	>15million times
	Electric:	>0.5million times
Protection Degree	IEC specification: IP66	

# KJT Sensors - KJT-XW Series

Limit Switch- AC Power Supplies

KJT-XWKG

## Dimension drawing



## Connection diagram

