

KJT Sensors - KJT-DSK41900 Series

Proximity Sensor -DC Power Supplies

KJT-DSK41900



KJT's zero speed hall effect sensors for measurement of hub speed and shaft revolutions, etc,with an internal magnet to switch in the presence of ferrous targets such as gear teeth and blade tips down to absolute zero speed.It detects fluctuations in the magnetic field and can also be configured so the output signal signifies either the presence or absence of a ferromagnetic target(i. e. A gear tooth, shaft feature, etc).

Technical parameter

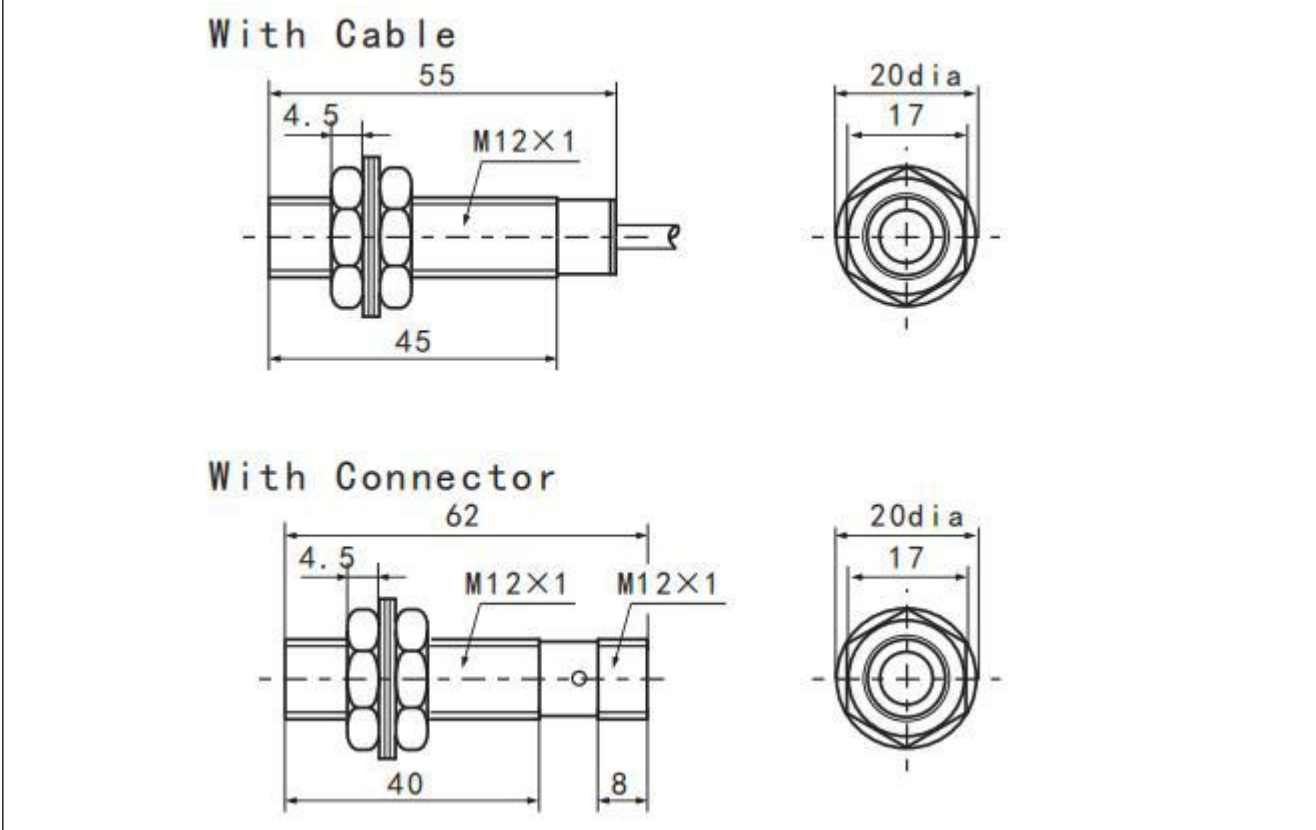
Supply voltage:	8-30 VDC
Operating Frequency:	0.20kHz
Sensor Head:	IP68
Cable outlet or connector	IP67
Temperature Range:	-40 Celsius degree to 125 Celsius degree
Construction:	Stainless Steel or Plastic Housing

KJT Sensors - KJT-DSK41900 Series

Proximity Sensor - DC Power Supplies

KJT-DSK41900

Dimension drawing



Connection diagram

