

# KJT Sensors - KJT-J12 Series

## Proximity Sensor - DC Power Supplies

KJT-JQT412-D02\*\*-D358



- Performance more steady due to specialized IC
- Housing material : ABS
- Sensing distance Sn (mm) :2mm
- Output function : NPN/PNP NO/NC
- Power supply range: 10-36V DC
- Protection degree : IP67 (IEC)
- Provide customized service

### Technical parameter

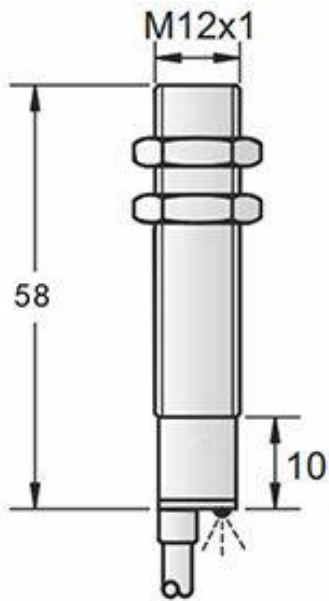
Size	M12*58mm
Mounting	Shielded
Sensing Distance SN [mm]	2mm
Housing material	ABS
Indicator	With LED
Operating voltage	10-36VDC
Output	PNP/NPN NO/NC
Ripple	<10%
No Load Current	<10mA
Max.Load Current	150mA
Leakage Current	<0.01mA
Voltage Drop	<1.5V
Switching Frequency	1K Hz
Response Time	0.2ms
Switching Hysteresis	<15%(Sr)
Repeat Accuracy	<3%(Sr)
Protection Degree	IP67
Operating Temperature	-25℃-+70℃
Temperature Drift	<10%(Sr)
Short Circuit Protection	Yes
Overload Trip Point	180mA
Connection	PVC Cable 2M

# KJT Sensors - KJT-J12 Series

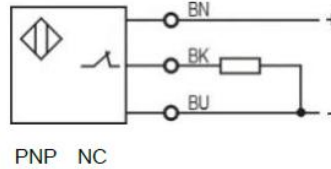
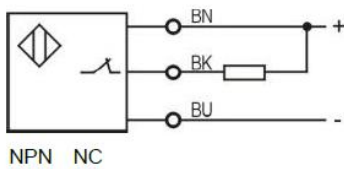
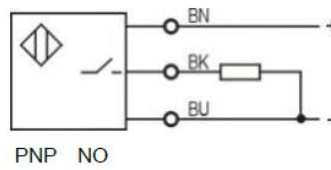
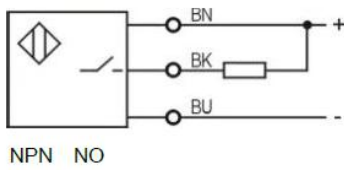
Proximity Sensor - DC Power Supplies

KJT-JQT412-D02\*\*-D358

## Dimension drawing



## Connection diagram



# KJT Sensors - KJT-J12 Series

Proximity Sensor - DC Power Supplies

KJT-JQT412-D02\*\*-D358

## Model/Order Number

Sn 2 mm DC 3 wire 10-36V PNP NO	KJT-JQT412-D02PA-D358
Sn 2 mm DC 3 wire 10-36V PNP NC	KJT-JQT412-D02PB-D358
Sn 2 mm DC 3 wire 10-36V NPN NO	KJT-JQT412-D02NA-D358
Sn 2 mm DC 3 wire 10-36V NPN NC	KJT-JQT412-D02NB-D358