

KJT Sensors - KJT-FJG18 Series

Laser Sensor -DC Power Supplies

KJT-FJG218-Z**T54-V250



- Performance more steady due to specialized IC
- Housing material : Brass nickel plated
- Sensing distance Sn (m) :50m
- Reflection mode:Through beam
- Power supply range: 10-36VDC
- Protection degree : IP67 (IEC)
- Provide customized service

Technical parameter

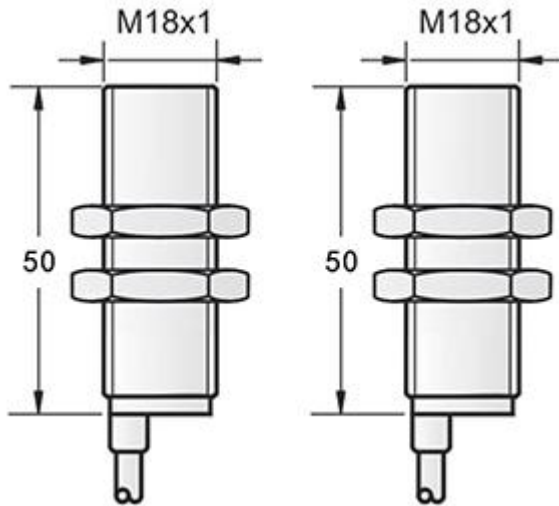
Size	M18*50mm
Reflection mode	Through beam
Sensing Distance SN [m]	70m
Housing material	Brass nickel plated
Operating voltage	10-36VDC
Switching Hysteresis	<15%
Light source	Infrared light(660nm)
Max Current Output	150mA
No Load Current	<10mA
Voltage Drop	<1.5V
Leakage Current	<0.01mA
Frequency	100Hz
Response Time	5ms
Short Circuit Protection	YES
Overload current protection point	180mA
Operating Temperature	0-55℃
Ambient Humidity	35-85%RH
Protection Degree	IP65
Temperature drift	<10%(Sr)
Connection	PVC cable 2m

KJT Sensors - KJT-FJG18 Series

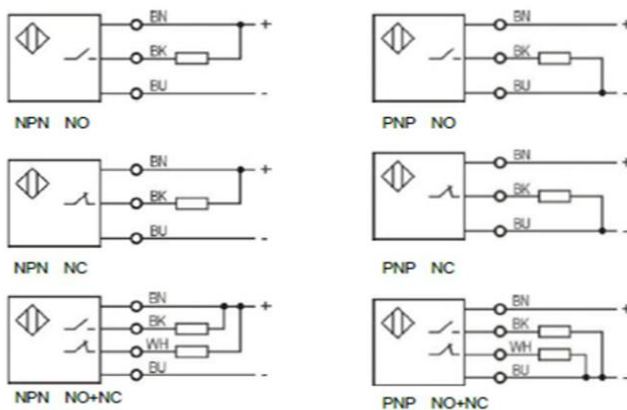
Laser Sensor - DC Power Supplies

KJT-FJG218-Z**T54-V250

Dimension drawing



Connection diagram



KJT Sensors - KJT-FJG18 Series

Laser Sensor - DC Power Supplies

KJT-FJG218-Z**T54-V250

Model/Order Number	
Sn 50m DC 3 wire 10-36V PNP NO	KJT-FJG218-ZPKT54-V250
Sn 50m DC 3 wire 10-36V PNP NC	KJT-FJG218-ZPHT54-V250
Sn 50m DC 3 wire 10-36V NPN NO	KJT-FJG218-ZNKT54-V250
Sn 50m DC 3 wire 10-36V NPN NC	KJT-FJG218-ZNHT54-V250
Sn 50m DC 4 wire 10-36V PNP NO+NC	KJT-FJG218-ZPKHT54-V250
Sn 50m DC 4 wire 10-36V NPN NO+NC	KJT-FJG218-ZNKHT54-V250