

# KJT Sensors - KJT-FJ12 Series

Photoelectric Sensor -DC Power

KJT-FJ212-Z\*\*Y1-V260



- Performance more steady due to specialized IC
- Housing material : Brass nickel plated
- Sensing distance Sn (m) :1m adjustable
- Reflection mode:Retro reflection
- Power supply range: 10-36VDC
- Protection degree : IP67 (IEC)
- Provide customized service

## Technical parameter

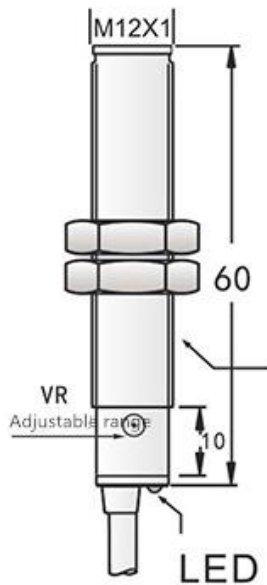
Size	M12*60mm
Reflection mode	Retro reflection
Sensing Distance SN [m]	1m adjustable
Housing material	Brass nickel plated
Operating voltage	10-36VDC
Switching Hysteresis	<15%
Light source	Infrared light(880nm)
Max Current Output	200mA
No Load Current	<30mA
Voltage Drop	<2.5V
Leakage Current	<1.8mA
Sensitivity Control	Trimmer 1tum
Response Time	5ms
Short Circuit Protection	YES
Electricity Protection	YES
Operating Temperature	0-55℃
Ambient Humidity	35-85%RH
Protection Degree	IP67
Sensing Object Size	20*20cm White board
Connection	PVC Cable 2M

# KJT Sensors - KJT-FJ12 Series

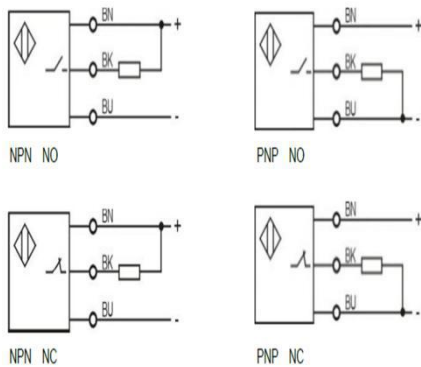
Photoelectric Sensor - DC Power

KJT-FJ212-Z\*\*Y1-V260

## Dimension drawing



## Connection diagram



# KJT Sensors - KJT-FJ12 Series

Photoelectric Sensor - DC Power

KJT-FJ212-Z\*\*Y1-V260

Model/Order Number	
Sn 1m DC 3 wire 10-36V PNP NO	KJT-FJ212-ZPKY1-V260
Sn 1m DC 3 wire 10-36V PNP NC	KJT-FJ212-ZPHY1-V260
Sn 1m DC 3 wire 10-36V NPN NO	KJT-FJ212-ZNKY1-V260
Sn 1m DC 3 wire 10-36V NPN NC	KJT-FJ212-ZNHY1-V260
Sn 1m DC 4 wire 10-36V PNP NO+NC	KJT-FJ212-ZPKHY1-V260
Sn 1m DC 4 wire 10-36V NPN NO+NC	KJT-FJ212-ZNKHY1-V260