

KJT Sensors - KJT-FJ18 Series

Photoelectric Sensor -DC Power

KJT-FJ218-Z**T15-V273



- Performance more steady due to specialized IC
- Housing material : Brass nickel plated
- Sensing distance Sn (m) :15m
- Reflection mode:Through beam
- Power supply range: 10-36VDC
- Protection degree : IP67 (IEC)
- Provide customized service

Technical parameter

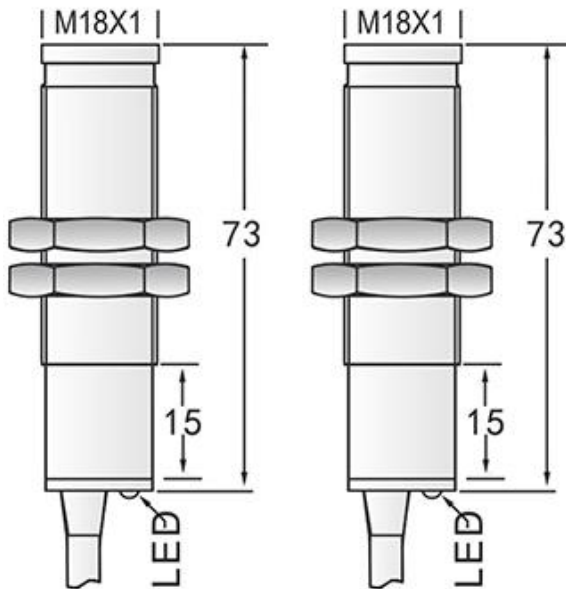
Size	M18*73mm
Reflection mode	Through beam
Sensing Distance SN [m]	15m
Housing material	Brass nickel plated
Operating voltage	10-36VDC
Switching Hysteresis	<15%
Light source	Infrared light(880nm)
Max Current Output	200mA
No Load Current	<30mA
Voltage Drop	<2.5V
Leakage Current	<1.8mA
Sensitivity Control	Trimmer 1tum
Response Time	5ms
Short Circuit Protection	YES
Electricity Protection	YES
Operating Temperature	0-55℃
Ambient Humidity	35-85%RH
Protection Degree	IP67
Sensing Object Size	20*20cm White board
Connection	PVC Cable 2M

KJT Sensors - KJT-FJ18 Series

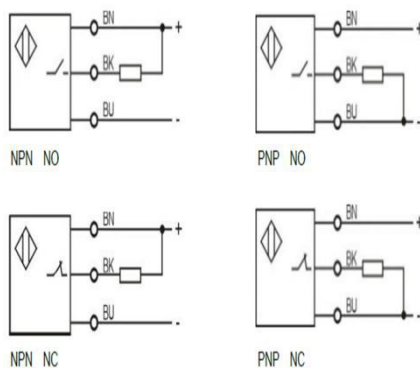
Photoelectric Sensor - DC Power

KJT-FJ218-Z**T15-V273

Dimension drawing



Connection diagram



KJT Sensors - KJT-FJ18 Series

Photoelectric Sensor - DC Power

KJT-FJ218-Z**T15-V273

Model/Order Number	
Sn 15m DC 3 wire 10-36V PNP NO	KJT-FJ218-ZPKT15-V273
Sn 15m DC 3 wire 10-36V PNP NC	KJT-FJ218-ZPHT15-V273
Sn 15m DC 3 wire 10-36V NPN NO	KJT-FJ218-ZNKT15-V273
Sn 15m DC 3 wire 10-36V NPN NC	KJT-FJ218-ZNHT15-V273
Sn 15m DC 4 wire 10-36V PNP NO+NC	KJT-FJ218-ZPKHT15-V273
Sn 15m DC 4 wire 10-36V NPN NO+NC	KJT-FJ218-ZNKHT15-V273