

KJT Sensors - KJT-KG Series

Speed switch Supplies

KJT-KG-JZ-K5



Rot. monitoring

- M30 - Sn10mm

- 120..3000c/mn

- 24..240VAC/DC

- cable 2m

Technical parameter

Range of product	OsiSense XS
Series name	Application
Sensor type	Speed switch
Device application	Rotation monitoring
Sensor name	XSA
Sensor design	Cylindrical M30
Size	81MM
Body type	Fixed
Detector flush mounting acceptance	Flush mountable
Material	Metal
Enclosure material	Nickel plated brass
Type of output signal	Discrete
Wiring technique	2-wire
[Sn] nominal sensing distance	10 mm
Discrete output function	1 NC
Output circuit type	AC/DC
Electrical connection	Cable
Cable length	2m
[Us] rated supply voltage	24...210 V DC 24...240 V AC 50/60 Hz

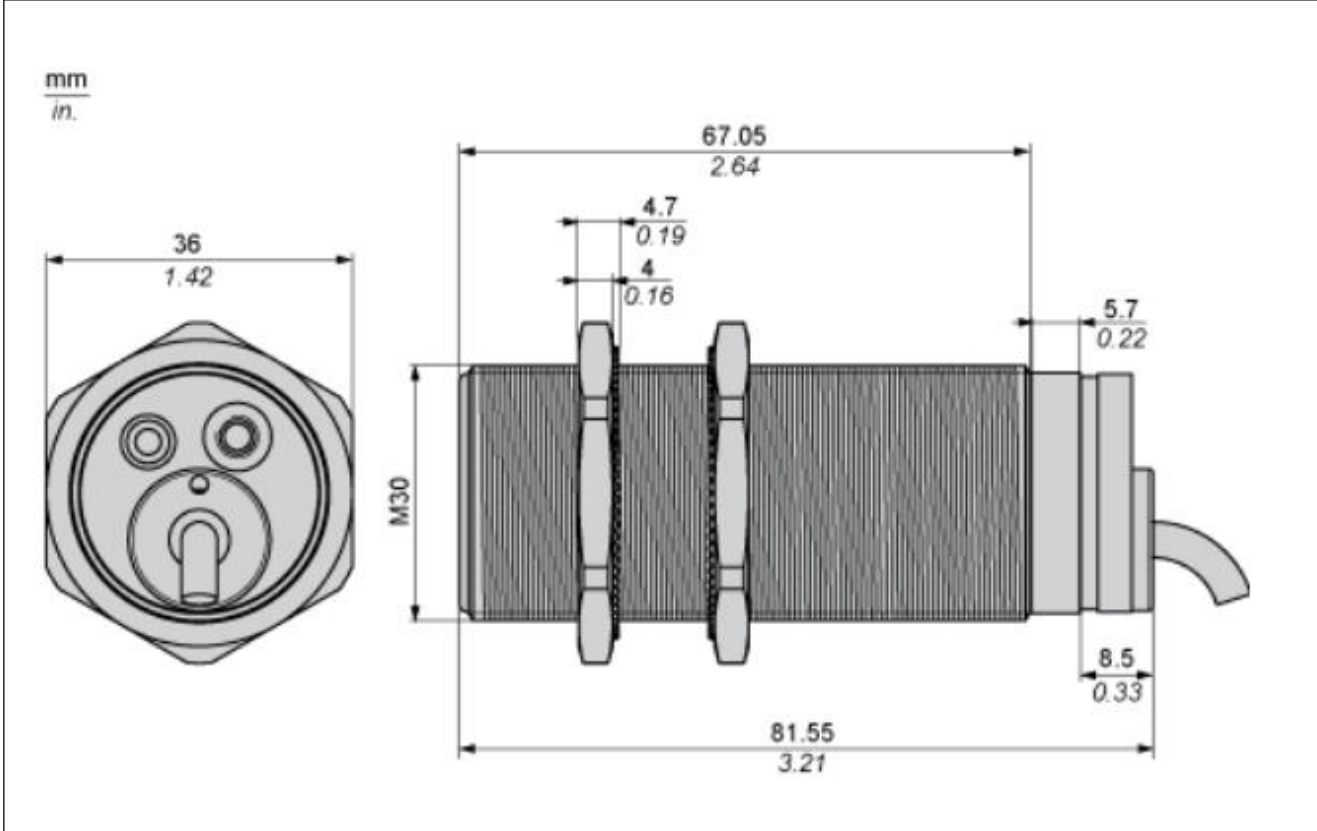
Switching capacity in mA	5...200 mA DC 5...350 mA AC
IP degree of protection	IP67 conforming to IEC 60529
Thread type	M30 x 1.5
Detection face	Frontal
Front material	PPS
Adjustable frequency range	6...150 cyc/mn
Operating zone	0...8 mm
Differential travel	3...15% of Fr
Repeat accuracy	3% of Sr
Cable composition	2 x 0.34 mm ²
Wire insulation material	PvR
Status LED	Output state: 1 LED (red)
Supply voltage limits	20...264 V AC/DC
Maximum residual current	1.5 mA open state
Switching frequency	<= 800 Hz
Maximum voltage drop	<5.7 V (closed)
Run-up delay at power-up	9 s standard
Marking	CE
Threaded length	57MM
Height	30mm
Length	81mm
Product certifications	CSA UL CCC
Ambient air temperature for operation	-25...70 ° C
Ambient air temperature for storage	-40...85 ° C

KJT Sensors - KJT-KG Series

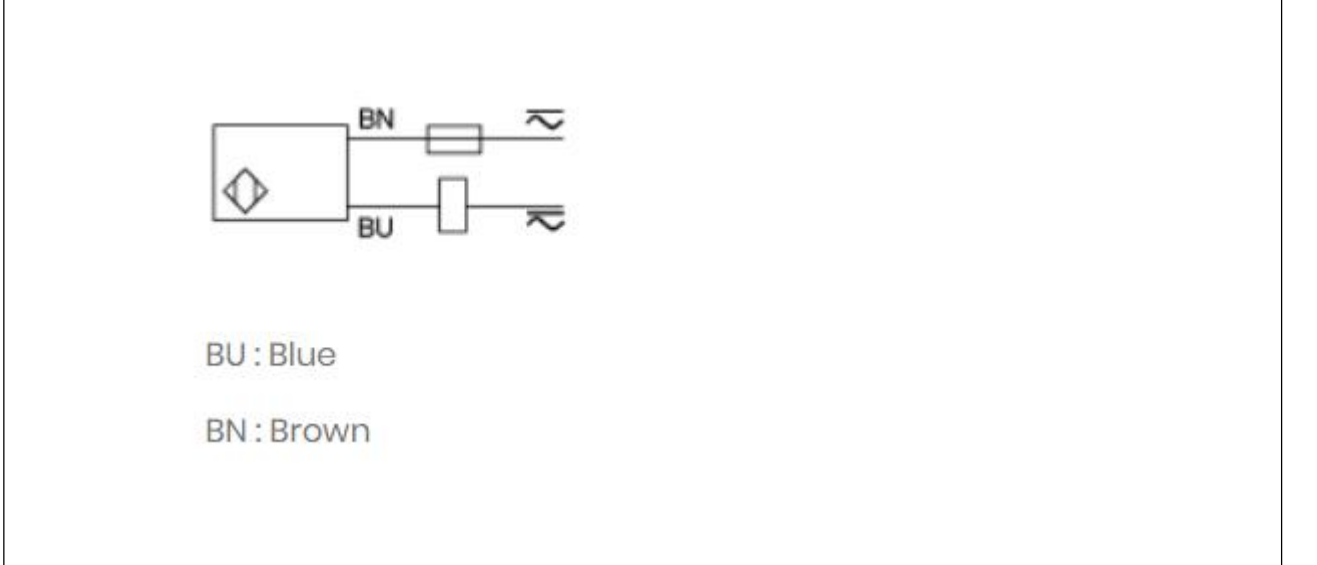
Speed switch Supplies

KJT-KG-JZ-K5

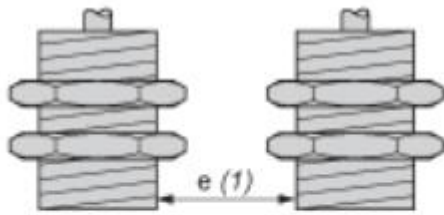
Dimension drawing



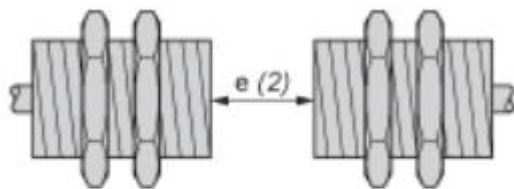
Connection diagram



MOUNTING AND CLEARANCE

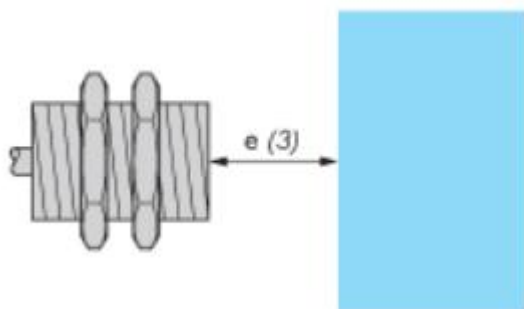


$e(1) \geq 20 \text{ mm}/0.79 \text{ in}$



$e(1) \geq 20 \text{ mm}/0.79 \text{ in}$

$e(2) \geq 120 \text{ mm}/4.72 \text{ in}$



$e(1) \geq 20 \text{ mm}/0.79 \text{ in}$

$e(2) \geq 120 \text{ mm}/4.72 \text{ in}$

$e(3) \geq 30 \text{ mm}/1.18 \text{ in}$