

KJT Sensors - KJT-J30 Series

Proximity Sensor - DC Power Supplies

KJT-JN130-D*D*-D2



- Performance more steady due to specialized IC
- Housing material : Brass nickel plated
- Sensing distance Sn (mm) :25mm/40mm
- Output function : NO/NC
- Power supply range: 10-36V DC
- Protection degree : IP67 (IEC)
- Provide customized service

Technical parameter

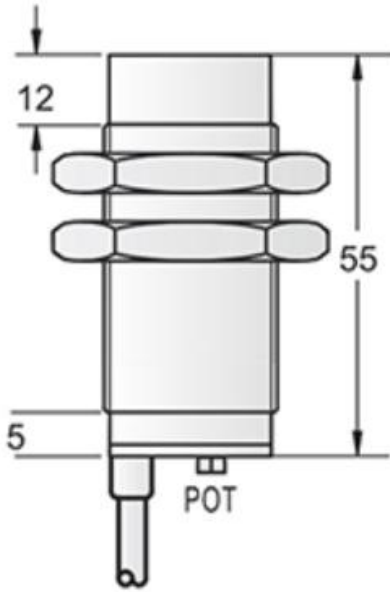
| | |
|--------------------------|---------------------|
| Size | J30*55mm |
| Mounting | Unshielded |
| Sensing Distance SN [mm] | 25mm/40mm |
| Housing material | Brass nickel plated |
| Indicator | With LED |
| Operating voltage | 10-36VDC |
| Output | NO/NC |
| Ripple | <10% |
| No Load Current | <10mA |
| Max.Load Current | 3-100mA |
| Leakage Current | <0.8mA |
| Voltage Drop | <6V |
| Switching Frequency | 200 Hz |
| Response Time | 1.5ms |
| Switching Hysteresis | <15%(Sr) |
| Repeat Accuracy | <3%(Sr) |
| Protection Degree | IP67 |
| Operating Temperature | -25℃-+70℃ |
| Temperature Drift | <10%(Sr) |
| Short Circuit Protection | YES |
| Overload Trip Point | 400mA |
| Connection | PVC Cable 2M |

KJT Sensors - KJT-J30 Series

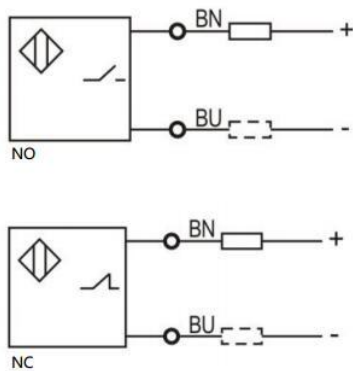
Proximity Sensor - DC Power Supplies

KJT-JN130-D*D*-D2

Dimension drawing



Connection diagram



KJT Sensors - KJT-J30 Series

Proximity Sensor - DC Power Supplies

KJT-JN130-D*D*-D2

| Model/Order Number | |
|-----------------------------|--------------------|
| Sn 25mm DC 2 wire 10-36V NO | KJT-JN130-D25DA-D2 |
| Sn 25mm DC 2 wire 10-36V NC | KJT-JN130-D25DB-D2 |
| Sn 40mm DC 2 wire 10-36V NO | KJT-JN130-D40DA-D2 |
| Sn 40mm DC 2 wire 10-36V NC | KJT-JN130-D40DB-D2 |