

KJT Sensors - KJT-FJP4 Series

Fiber Sensor -DC Power Supplies

KJT-FJP404-Z*X-42V2



- Performance more steady due to specialized IC
- Though beam,diffuse reflection,L type,Window type,high-temperature type etc.
- Sensing distance Sn (mm) :40mm
- From diameter of ϕ 1.5mm to over M6 can be customized.
- High temperature type can be resistant high temperature of 350℃
- Provide customized service

Technical parameter

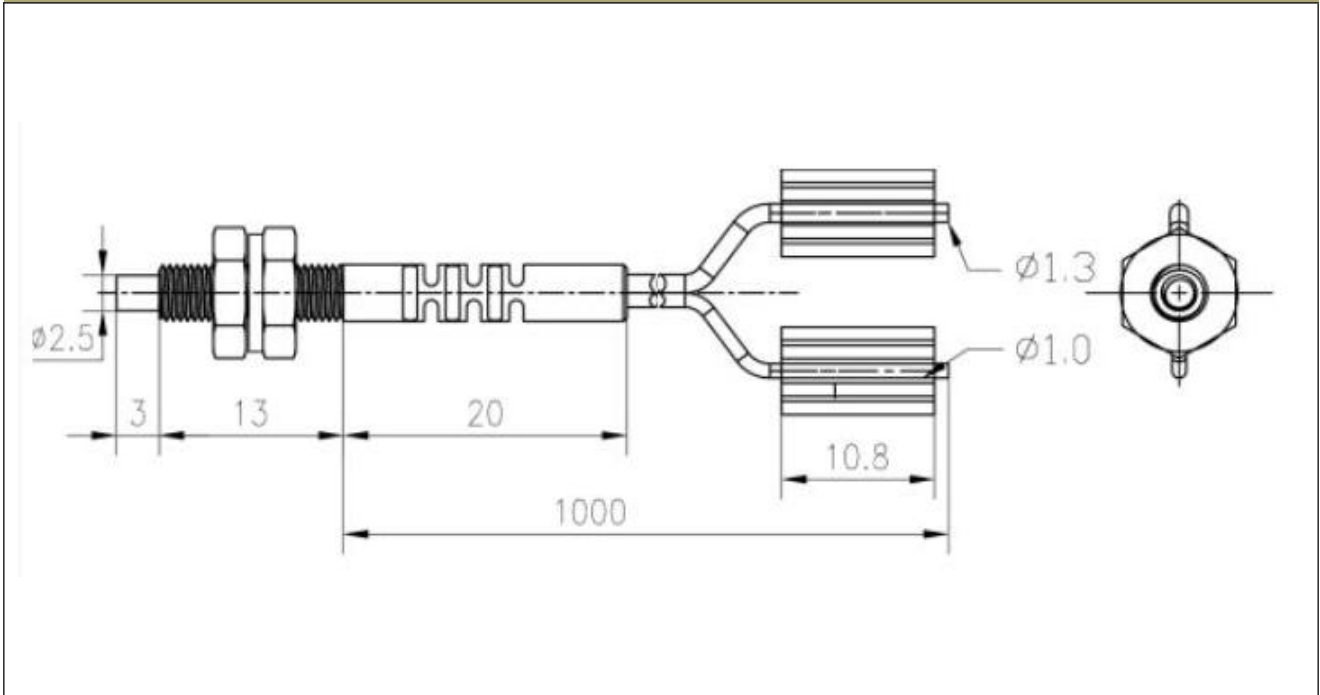
Diameter	M4
Reflection mode	Diffuse
Sensing Distance SN [mm]	40mm
Optical fiber material	Plastic
Minimum detection object	ϕ 0.1
The pipe material	Stainless steel
Optical fiber type	Head of optical fiber
Fiber length [m]	1m
Bending radius	R15
Fiber core distribution	Coaxial
Output	PNP/NPN

KJT Sensors - KJT-FJP4 Series

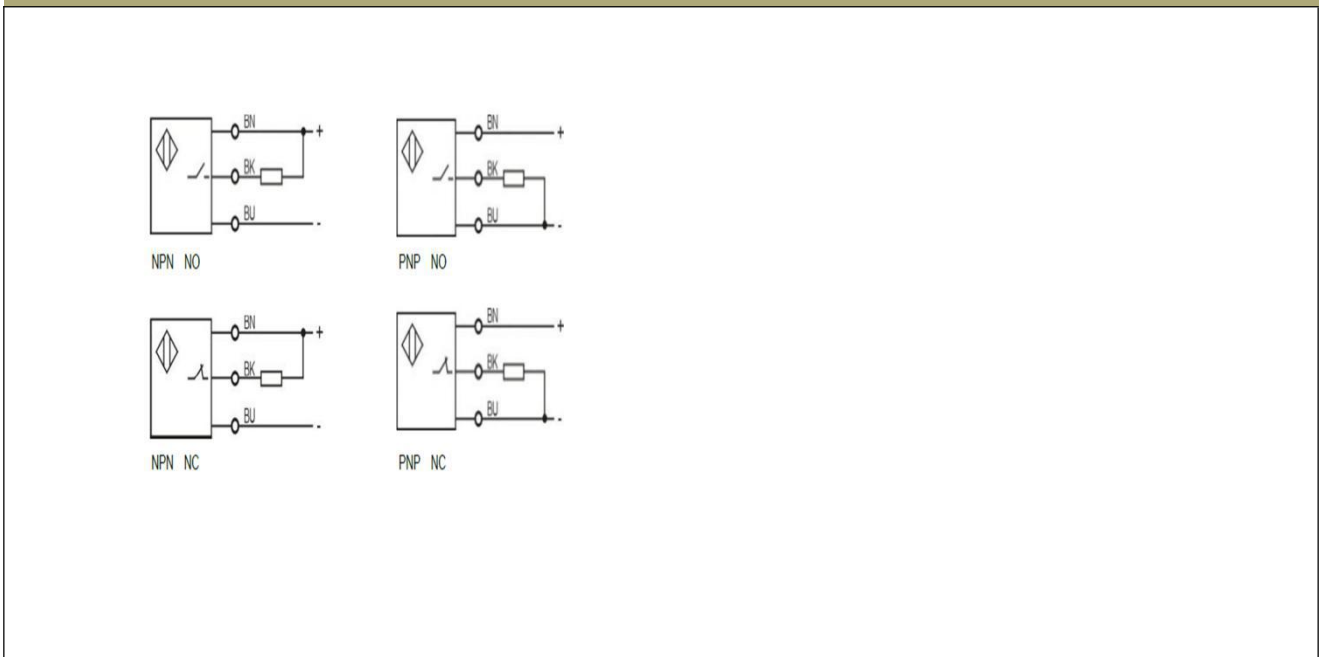
Fiber Sensor - DC Power Supplies

KJT-FJP404-Z*X-42V2

Dimension drawing



Connection diagram



KJT Sensors - KJT-FJP4 Series

Fiber Sensor - DC Power Supplies

KJT-FJP404-Z*X-42V2

Model/Order Number

Sn 40mm DC 3 wire 10-36V PNP

KJT-FJP404-ZPX-42V2

Sn 40mm DC 3 wire 10-36V NPN

KJT-FJP404-ZNX-42V2