

KJT Sensors - KJT-FJP4 Series

Fiber Sensor -DC Power Supplies

KJT-FJP404-Z*TS-14V2



- Performance more steady due to specialized IC
- Though beam,diffuse reflection,L type,Window type,high-temperature type etc.
- Sensing distance Sn (mm) :0-1000mm
- From diameter of ϕ 1.5mm to over M6 can be customized.
- High temperature type can be resistant high temperature of 350℃
- Provide customized service

Technical parameter

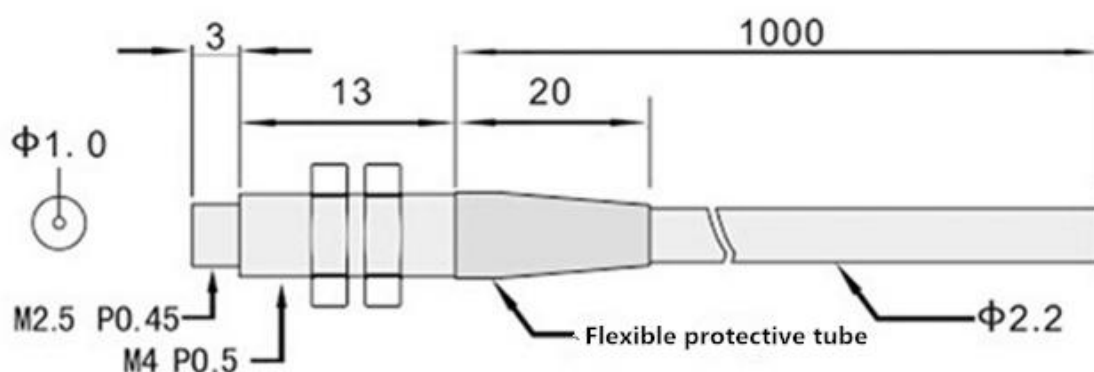
Diameter	M4
Reflection mode	Through beam
Sensing Distance SN [mm]	0-1000mm
Optical fiber material	Plastic
Minimum detection object	ϕ 0.5
The pipe material	Stainless steel
Optical fiber type	Head of optical fiber
Fiber length [m]	1m
Fiber core size	Core 0.5, outer diameter 1.0
Output	PNP/NPN

KJT Sensors - KJT-FJP4 Series

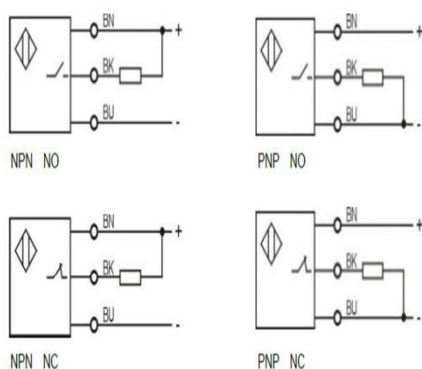
Fiber Sensor - DC Power Supplies

KJT-FJP404-Z*TS-14V2

Dimension drawing



Connection diagram



KJT Sensors - KJT-FJP4 Series

Fiber Sensor - DC Power Supplies

KJT-FJP404-Z*TS-14V2

Model/Order Number

Sn 0-1000mm DC 3 wire 10-36V PNP	KJT-FJP404-ZPTS-14V2
Sn 0-1000mm DC 3 wire 10-36V NPN	KJT-FJP404-ZNTS-14V2