

KJT Sensors - KJT-J4 Series

Proximity Sensor - DC Power Supplies

KJT-JT204-W0.8**-D3



- Performance more steady due to specialized IC
- Housing material : Stainless steel
- Sensing distance Sn (mm) :0.8 mm
- Output function : NPN/PNP NO/NC
- Power supply range: 10-36V DC
- Protection degree : IP67 (IEC)
- Provide customized service

Technical parameter

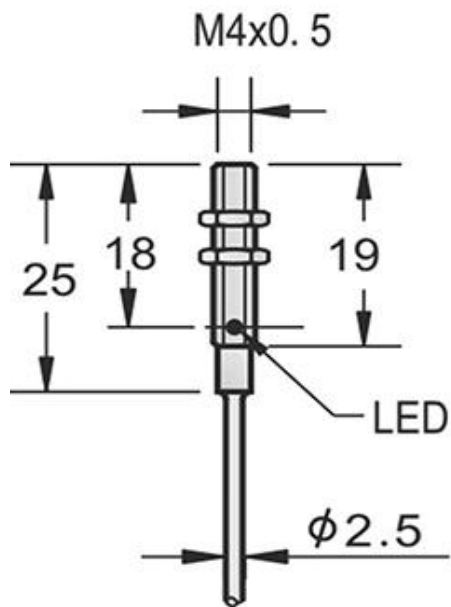
Size	J4*25mm
Mounting	Shielded
Sensing Distance SN [mm]	0.8 mm
Housing material	Stainless steel
Indicator	With LED
Operating voltage	10-36VDC
Output	PNP/NPN NO/NC
Ripple	<10%
No Load Current	<10mA
Max.Load Current	100mA
Leakage Current	<0.01mA
Voltage Drop	<1.5V
Switching Frequency	2K Hz
Response Time	0.1ms
Switching Hysteresis	<15%(Sr)
Repeat Accuracy	<3%(Sr)
Protection Degree	IP67
Operating Temperature	-25℃-+70℃
Temperature Drift	<10%(Sr)
Short Circuit Protection	YES
Overload Trip Point	200mA
Connection	PVC Cable 2M

KJT Sensors - KJT-J4 Series

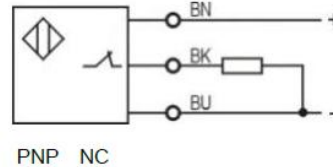
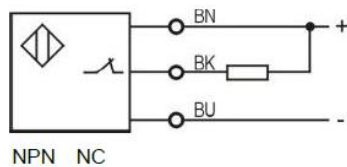
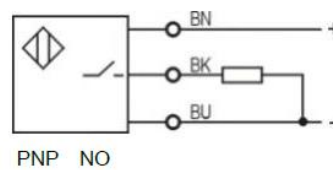
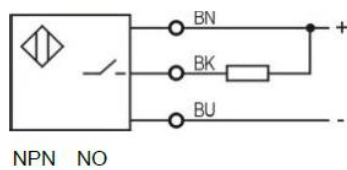
Proximity Sensor - DC Power Supplies

KJT-JT204-W0.8**-D3

Dimension drawing



Connection diagram



KJT Sensors - KJT-J4 Series

Proximity Sensor - DC Power Supplies

KJT-JT204-D***-D3

Model/Order Number	
Sn 1.0mm DC 3 wire 10-36V PNP NO	KJT-JT204-D01PA-D3
Sn 1.0mm DC 3 wire 10-36V PNP NC	KJT-JT204-D01PB-D3
Sn 1.0mm DC 3 wire 10-36V NPN NO	KJT-JT204-D01NA-D3
Sn 1.0mm DC 3 wire 10-36V NPN NO	KJT-JT204-D01NB-D3
Sn 1.2mm DC 3 wire 10-36V PNP NO	KJT-JT204-D1.2PA-D3
Sn 1.2mm DC 3 wire 10-36V PNP NC	KJT-JT204-D1.2PB-D3
Sn 1.2mm DC 3 wire 10-36V NPN NO	KJT-JT204-D1.2NA-D3
Sn 1.2mm DC 3 wire 10-36V NPN NO	KJT-JT204-D1.2NB-D3
Sn 1.5mm DC 3 wire 10-36V PNP NO	KJT-JT204-D1.5PA-D3
Sn 1.5mm DC 3 wire 10-36V PNP NC	KJT-JT204-D1.5PB-D3
Sn 1.5mm DC 3 wire 10-36V NPN NO	KJT-JT204-D1.5NA-D3
Sn 1.5mm DC 3 wire 10-36V NPN NO	KJT-JT204-D1.5NB-D3