

# KJT Sensors - KJT-FJG5 Series

## Laser Sensor -DC Power Supplies

KJT-FJG205-Z\*\*X\*-V223



- Performance more steady due to specialized IC
- Housing material : Brass nickel plated
- Sensing distance Sn (m):100/130mm adjustable
- Reflection mode:Diffuse
- Power supply range: 10-36VDC
- Protection degree : IP67 (IEC)
- Provide customized service

### Technical parameter

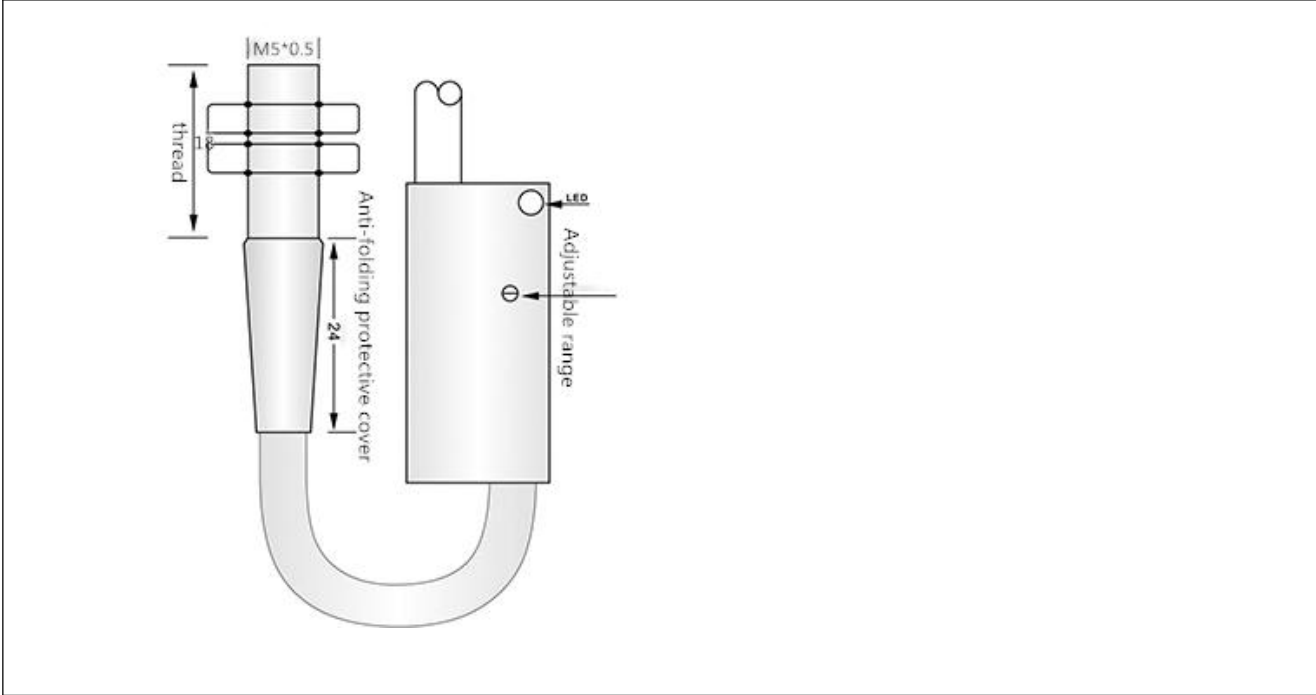
Size	M5*23mm
Reflection mode	Diffuse
Sensing Distance SN [m]	100/130mm adjustable
Housing material	Brass nickel plated
Operating voltage	10-36VDC
Switching Hysteresis	<15%
Light source	Infrared light(660nm)
Max Current Output	150mA
No Load Current	<10mA
Voltage Drop	<1.5V
Leakage Current	<0.01mA
Frequency	100Hz
Response Time	5ms
Short Circuit Protection	YES
Overload current protection point	180mA
Operating Temperature	0-55℃
Ambient Humidity	35-85%RH
Protection Degree	IP65
Temperature drift	<10%(Sr)
Connection	PVC cable 2m

# KJT Sensors - KJT-FJG5 Series

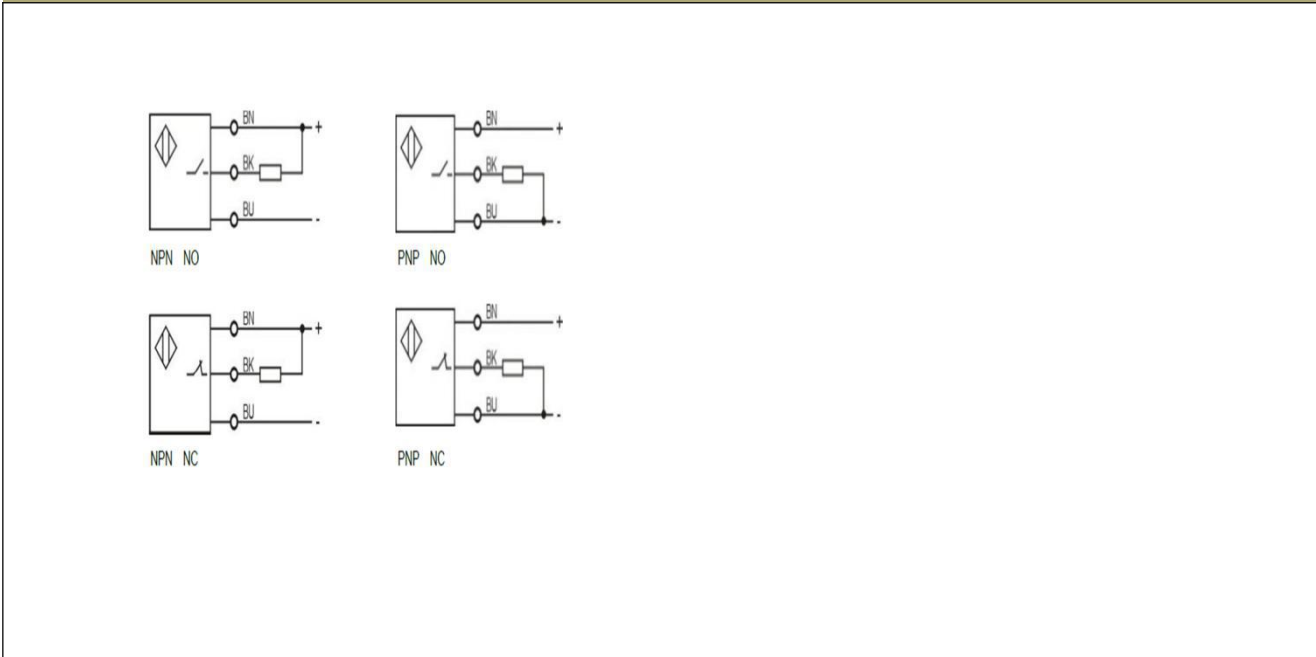
**Laser Sensor - DC Power Supplies**

KJT-FJG205-Z\*\*X\*-V223

## Dimension drawing



## Connection diagram



# KJT Sensors - KJT-FJG5 Series

Laser Sensor - DC Power Supplies

KJT-FJG205-Z\*\*X\*-V223

Model/Order Number	
Sn 0.1m DC 3 wire 10-36V PNP NO	KJT-FJG205-ZPKX12-V223
Sn 0.1m DC 3 wire 10-36V PNP NC	KJT-FJG205-ZPHX12-V223
Sn 0.1m DC 3 wire 10-36V NPN NO	KJT-FJG205-ZNKX12-V223
Sn 0.1m DC 3 wire 10-36V NPN NC	KJT-FJG205-ZNHX12-V223
Sn 0.13m DC 3 wire 10-36V PNP NO	KJT-FJG205-ZPKX123-V223
Sn 0.13m DC 3 wire 10-36V PNP NC	KJT-FJG205-ZPHX123-V223
Sn 0.13m DC 3 wire 10-36V NPN NO	KJT-FJG205-ZNKX123-V223
Sn 0.13m DC 3 wire 10-36V NPN NC	KJT-FJG205-ZNHX123-V223