

# KJT Sensors - KJT-FJP6 Series

Fiber Sensor -DC Power Supplies

KJT-FJP206-Z\*T-13V2



- Performance more steady due to specialized IC
- Though beam,diffuse reflection,L type,Window type,high-temperature type etc.
- Sensing distance Sn (m) :0-100mm
- From diameter of  $\phi$  1.5mm to over M6 can be customized.
- High temperature type can be resistant high temperature of 350°C
- Provide customized service

## Technical parameter

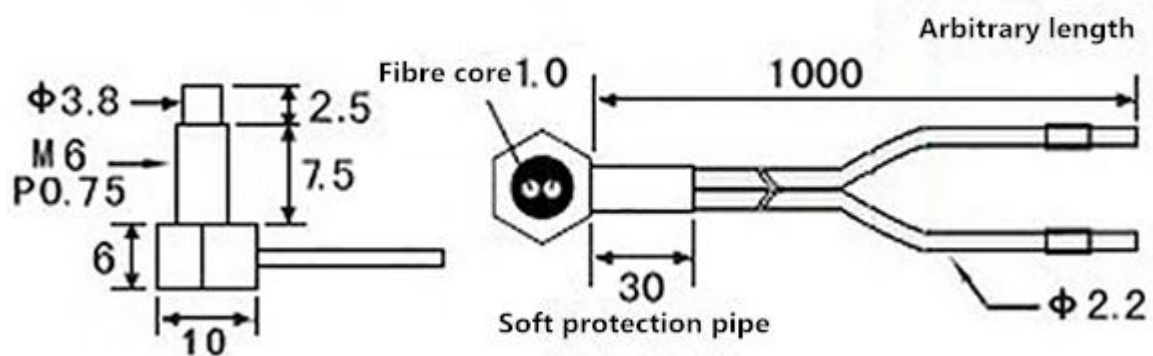
Diameter	M6
Reflection mode	Diffuse
Sensing Distance SN [mm]	0-100mm
Optical fiber material	Plastic
Minimum detection object	$\phi$ 0.1
The pipe material	Nickel plated brass
Optical fiber type	Head of optical fiber
Fiber length [m]	1m
Fiber core size	Core 1.0, outer diameter 2.2
Output	PNP/NPN

# KJT Sensors - KJT-FJP6 Series

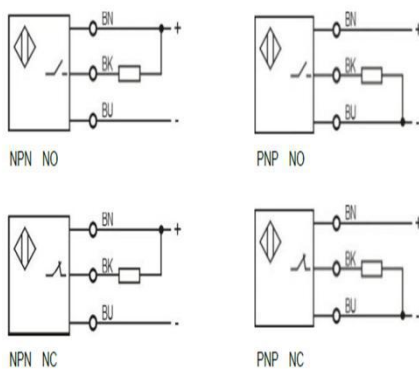
Fiber Sensor - DC Power Supplies

KJT-FJP206-Z\*T-13V2

## Dimension drawing



## Connection diagram



# KJT Sensors - KJT-FJP6 Series

Fiber Sensor - DC Power Supplies

KJT-FJP206-Z\*T-13V2

## Model/Order Number

Sn 0-100mm DC 3 wire 10-36V PNP

KJT-FJP206-ZPX-13V2

Sn 0-100mm DC 3 wire 10-36V NPN

KJT-FJP206-ZNX-13V2