

KJT Sensors - KJT-H21 Series

Proximity Sensor -DC Power Supplies

KJT-JH421-H17**-DS8



- Performance more steady due to specialized IC
- Housing material : ABS
- Sensing distance Sn (mm) :0-17mm
- Power supply range: 10-36VDC
- Protection degree : IP67 (IEC)
- Provide customized service

Technical parameter

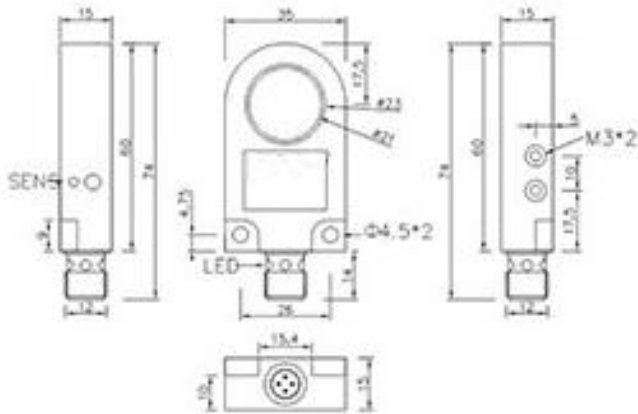
Sensing Distance SN [mm]	0-17mm
Housing material	ABS
Operating voltage	10-36VDC
Current consumption	<10mA
Load current	<100mA
Output	PNP/NPN NO/NC
Hysteresis	2% sensing distance
Response frequency	1KHz
Residual voltage	<1.0VDC Load current 100mA
Leak current	<0.01mA
Operating Temperature	-25°C~+70°C
Protection circuit	power back connection protection and output short circuit protection
Protection Degree	IP67
Detection object material	Iron、cuprum
Connection	Connector M8

KJT Sensors - KJT-H21 Series

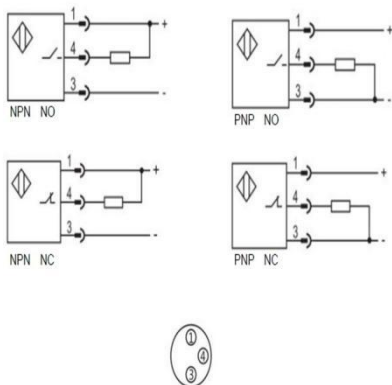
Proximity Sensor - DC Power Supplies

KJT-JH421-H17**-DS8

Dimension drawing



Connection diagram



KJT Sensors - KJT-H21 Series

Proximity Sensor - DC Power Supplies

KJT-JH421-H17**-DS8

Model/Order Number	
Sn 0-17mm DC 3 wire 10-36V PNP NO	KJT-JH421-H17PA-DS8
Sn 0-17mm DC 3 wire 10-36V PNP NC	KJT-JH421-H17PB-DS8
Sn 0-17mm DC 3 wire 10-36V NPN NO	KJT-JH421-H17NA-DS8
Sn 0-17mm DC 3 wire 10-36V NPN NC	KJT-JH421-H17NB-DS8